

GROUND SLEEVE ALIGNMENT INSTRUCTIONS

WARNING: All ground sleeves must be properly aligned and secured prior to the placement of concrete.
VERIFY WITH A LEVEL!

- STEP 1:** Define the center point **1** of the discus circle and fit precisely vertical pin **3**
- STEP 2:** Insert device for alignment **1** into the post ground sleeve **1**. Align sleeves with the vertical pin in such way that you will see the pin in the middle of the rectangle window of the device and fix the sleeves in place.
- STEP 3, 4, and 5:** Repeat step 2 sequence for post ground sleeves **2**, **3** and **4**.
- STEP 6:** Determine point **2** and fit precisely vertical pin **3** at that place.
- STEP 7 and 8:** Repeat step 2 sequence for post ground sleeves **5** and **6**.
- STEP 9:** Apply concrete and at the same time level movement of post ground sleeves.

LEGEND:
Green thick line — is trace of the net according to the NF rules.
Red dimensions — on NF specifications.
Blue dimensions — one for installation (to the top of the ground sleeves).
○ — Denotes post ground sleeves 1 thru 6
□ — Denotes part ID.

PART #	DESCRIPTION	QUANTITY
1	POST GROUND SLEEVE	6
2	POST GROUND CAP	6
3	VERTICAL PIN FOR ALIGNMENT	1
4	DEVICE FOR ALIGNMENT SLEEVES	1
5	POST ASSEMBLY	6
6	MAIN NET	1
7	ROPE 1/4"-32'long WITH SWP	6

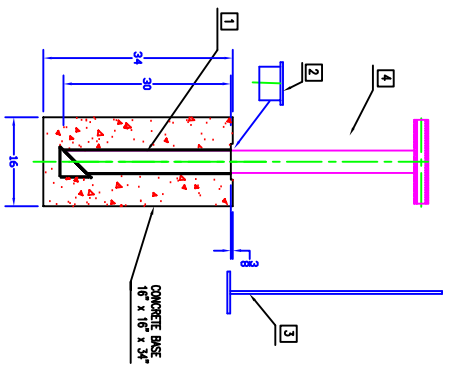
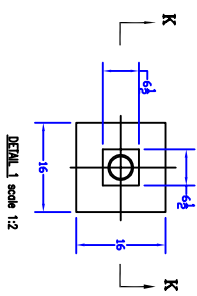
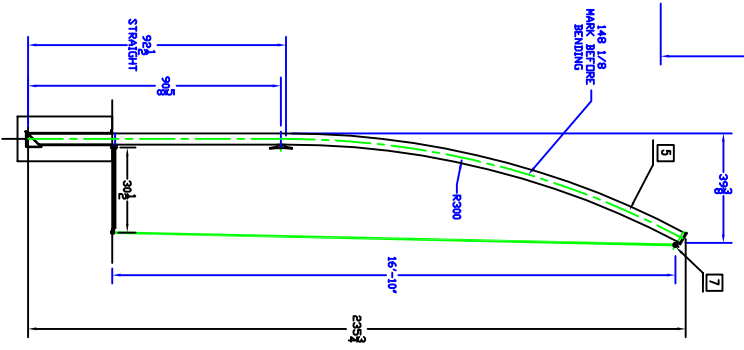
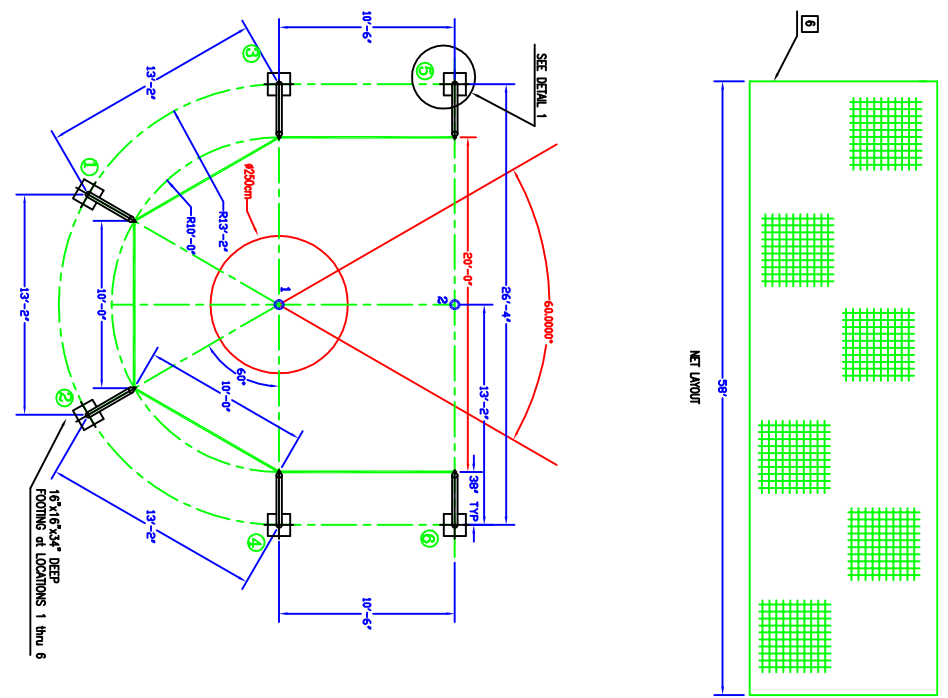
UNLESS OTHERWISE SPECIFIED

DIMENSIONS ARE IN INCHES
DECIMAL TO: 0.06" MODULAR TO: ± 0.5"
3 PLACES ± 0.005"
MATERIAL

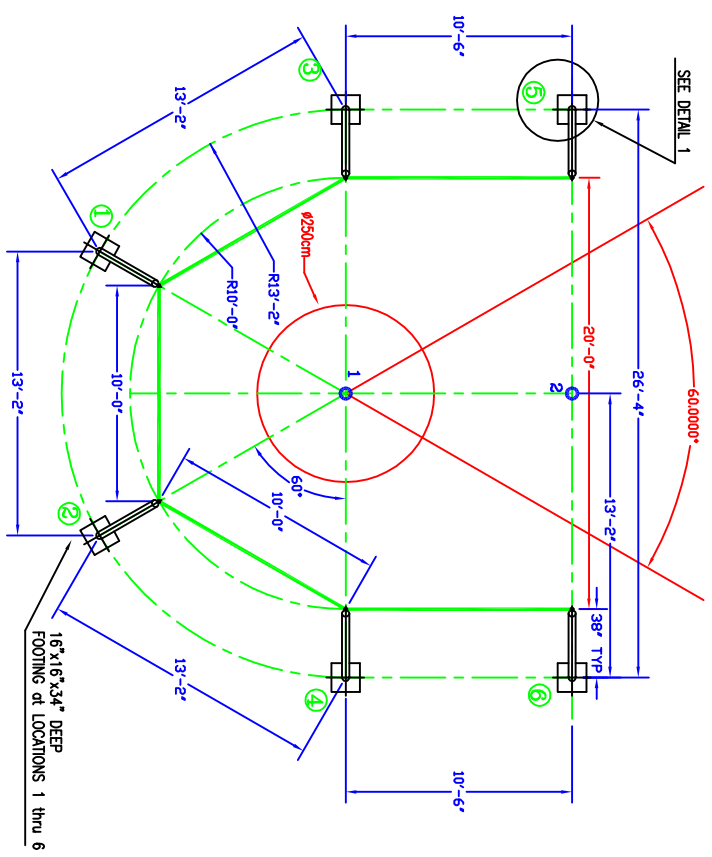
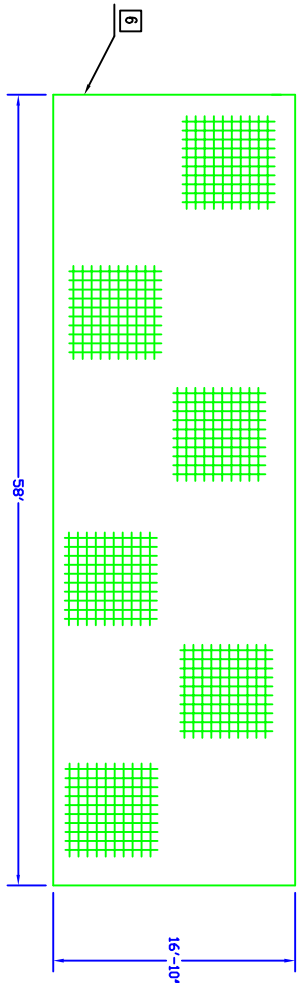
CONTRACT NO. 100 SRD. AVE. KEARNEY, N.J. 07032

APPROVALS: DRAWN: AMBERLY S/J/M DATE: TITLE: NCAA/HIGH SCHOOL DISCUS CAGE WITH GROUND SLEEVES (6 posts) INSTALLATION DRAWING

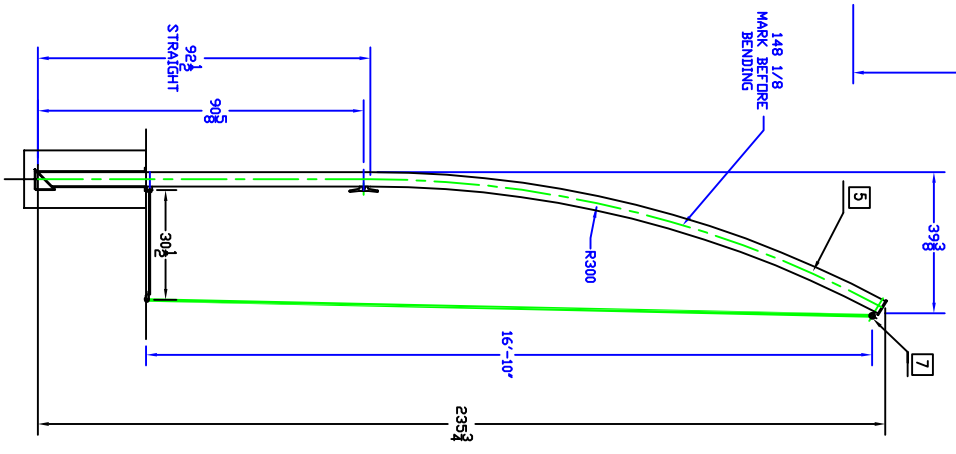
ENGINEER: CHECKED: SCALE: 1/8" = 1'-0" SHEET 1 OF 1



SECTION K-K, scale 1:2



16" x 16" x 34" DEEP
FOOTING at LOCATIONS 1 thru 6



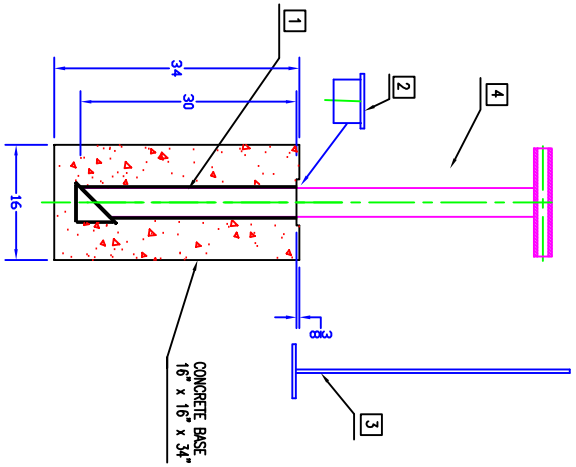
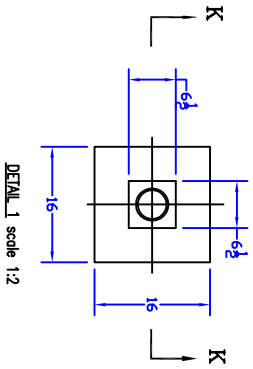
K

GROUND SLEEVE ALIGNMENT INSTRUCTIONS

WARNING:
All ground sleeves must be properly aligned and secured prior to the placement of concrete.

VERIFY WITH A LEVEL!

- STEP 1.** Define the center point **1** of the discuss circle and fix precisely vertical pin **3**
- STEP 2.** Insert device for alignment **2** into the post ground sleeve **1**.
Align sleeve with the vertical pin in such way that you will see the pin in the middle of the rectangle window of the device and fix the sleeve in place.
- STEP 3, 4, and 5.** Repeat step 2 sequence for post ground sleeves **2**, **3** and **4**.
- STEP 6.** Determine point **2** and fix precisely vertical pin **3** at that place.
- STEP 7 and 8.** Repeat step 2 sequence for post ground sleeves **5** and **6**.
- STEP 9.** Apply concrete and at the same time avoid movement of post ground sleeves.



CONCRETE BASE
16" x 16" x 34"

- LEGEND:**
- Green thick line is trace of the net according to the NF rules.
 - Red dimensions are NF specifications.
 - Blue dimensions are for installation (to the top of the ground sleeves).
 - -Denotes post ground sleeves 1 thru 6
 - -Denotes part ID.

SECTION K-K, scale 1:2

PART #	DESCRIPTION	QUANTITY
1	POST GROUND SLEEVE	6
2	POST GROUND CAP	6
3	VERTICAL PIN for ALIGNMENT	1
4	DEVICE for ALIGNMENT SLEEVES	1
5	POST ASSEMBLY	6
6	MAIN NET	1
7	ROPE 1/4"-32'long WITH SNAP	6

UNLESS OTHERWISE SPECIFIED
DIMENSIONS ARE IN INCHES
DECIMAL TOL: ANGULAR TOL:
2 PLACES ± 0.05 ± 0.5"
3 PLACES ± 0.005

APPROVALS DATE
DRAWN AMBROLOV 3/3/00
CHECKED ENGINEER
ENGINEER
CHECKED

CONTRACT NO.
TITLE NCAA/HIGH SCHOOL DISCUS CAGE
WITH GROUND SLEEVES (6 posts)
INSTALLATION DRAWING
SCALE 1:50 SHEET 1 OF 1

UCS 100 3RD. AVE.
KEARNY, N.J. 07032

SIZE CAGE CODE DWG NO. 570-0100
C1 R